

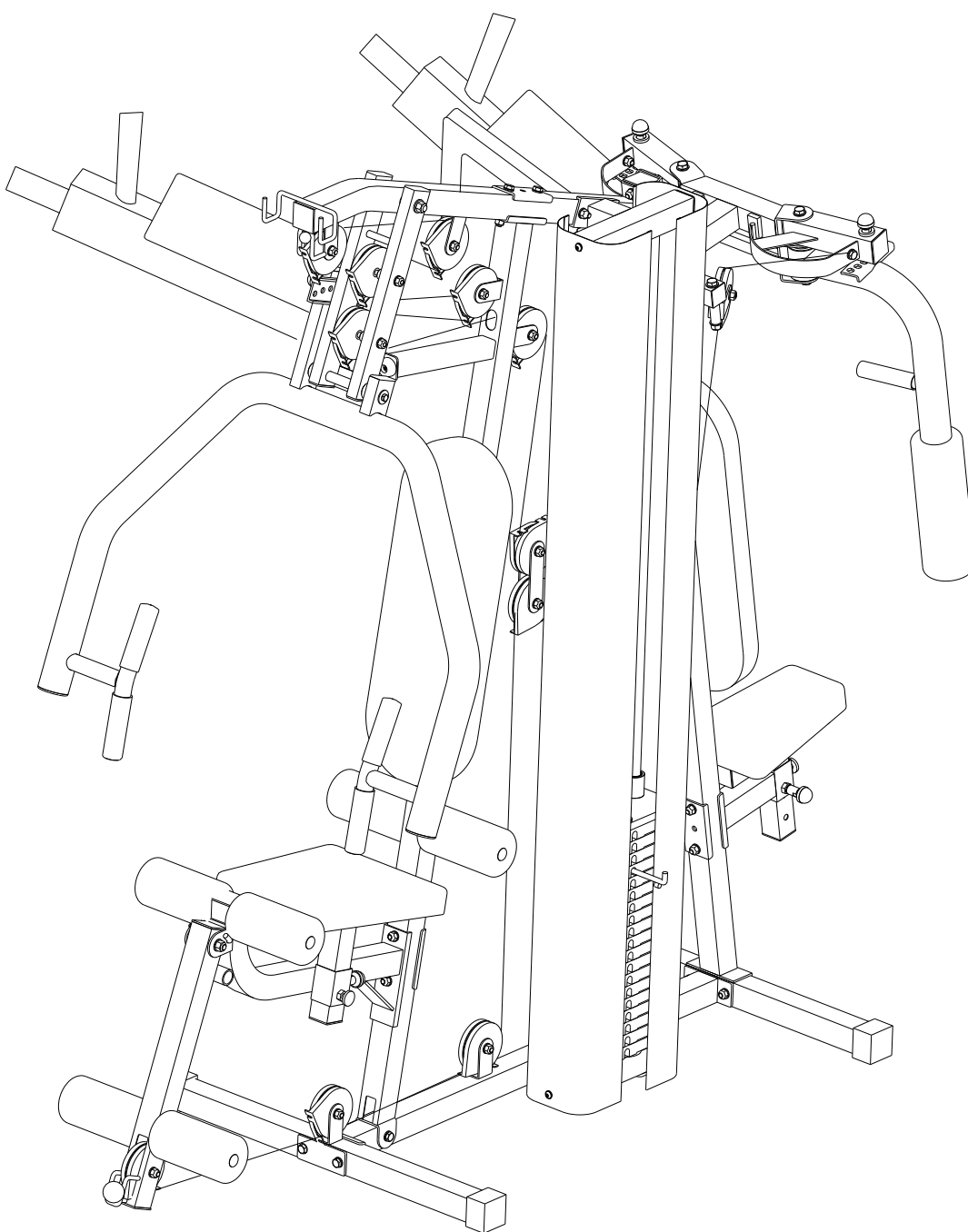


Assembly Instructions Infinity 2-Station Home Gym

Art No. 555 200 &

OPTION:Dip Station (VKR)

Art No. 555 210



IMPORTANT SAFETY INFORMATION

TO AVOID INJURY AND/OR AN ACCIDENT READ AND FOLLOW THESE SIMPLE SAFETY RULES:

1. Do not allow children to play on or around UNIT.
2. Securely tighten all nuts and bolts and regularly check to insure that all bolts and nuts have not loosened.
3. With use normal wear of components can be expected. Therefore, periodic inspection of moving components should be performed. Pay particular attention to areas of metal to metal contact such as quick-links and replace when noticeable wear occurs.
4. Do not try to remove weight selector rod while UNIT is in use.
5. Keep your hands away from path of cables, and weight stacks when UNIT is in use.
6. Be certain that pull pins and rods are fully inserted and quick-links are completely closed before using UNIT.
7. Do not wear loose robes, gowns, pants, long skirts, or jewelry such as necklaces, chains, rings, etc., which may become entangled in moving parts.
8. Do not stand or kneel on seats.
9. Wear only a rubber sole shoe. Hard sole or spiked heel shoes may cause you to slip and fall.

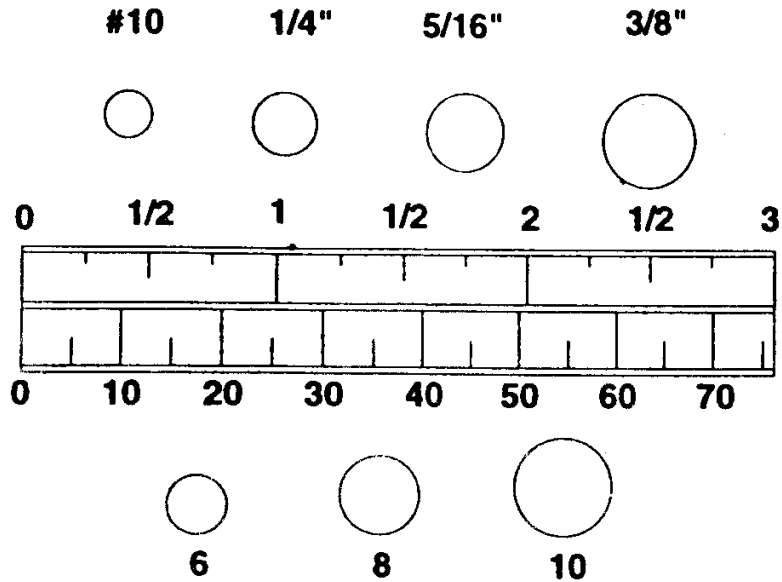
CAUTION

**BEFORE STARTING ANY EXERCISE PROGRAM, IT IS RECOMMENDED
THAT YOU CONSULT YOUR PHYSICIAN.**

ITEM NUMBERS IN INSTRUCTIONS ARE SAME AS ITEM NUMBERS IN PARTS LIST.

THE HARDWARE QUANTITIES SHOWN IN PARTS LIST, ARE QUANTITIES REQUIRED TO COMPLETE ASSEMBY OF THIS PRODUCT. IF YOU FIND YOU HAVE MORE HARDWARE THAN IS REQUIRED, DISCARD EXCESS HARDWARE.

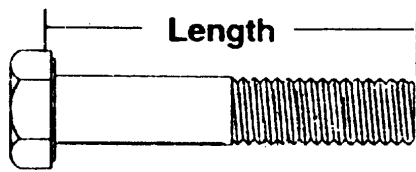
INCHES



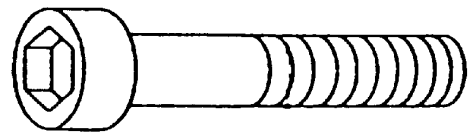
MILLIMETERS

PLACE WASHER, END OF BOLT, OR SCREW ON CIRCLE TO CHECK FOR CORRECT SIZE.

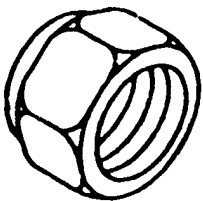
HARDWARE ILLUSTRATIONS



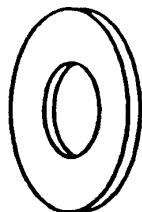
HEX HEAD BOLT



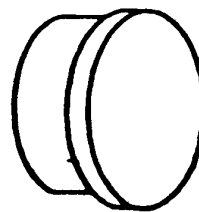
SOCKET HEAD SCREW



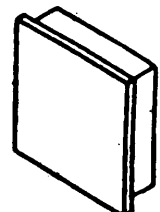
LOCKNUT



FLAT WASHER



ROUND PLUG



SQUARE PLUG

NOTE : The hardware may vary (type of head or length) from what is specified, but the variation in no way will affect the product's quality.

PARTS LIST

ITEM	PART NO.	Q'TY	PART NAME
1	02059100	8	Cap
2	38402316	1	Front Floor Tube
3	38402416	1	Dip Stand Base
4	38402616	1	Base
5	31308716	2	Flat Plate
6	22035300	22	M10 x 1.5 x 75 mm Long Hex Head Bolt
7	26016800	81	M10 Washer
8	25028300	40	M10 x 1.5 Locknut
9	30489716	1	Rear Floor Tube
10	02054400	13	2" Square Plug
11	02056500	2	1 1/2" Square Plug
12	38402716	1	Rear Support
13	39442000	2	Arm Assembly
14	39441500	1	Front Support Assemble
14a	38402916	1	Front Support
14b	09153200	1	Bumper
14c	21030100	1	M6 x 1 x 16mm Long Machine Screw
14d	26023100	1	M6 Washer
15	38403216	1	Top Support
16	31308616	5	Channel Plate
17	34441400	1	Butterfly Mount (Assembly)
17a	38402516	1	Butterfly Mount
17b	09190100	2	Pad
18	38403016	1	Rear Seat Mount
19	39443100	2	Seat Pull Knob
20	09153700	2	Weight Bumper
21	30447167	2	Guide Rod
22	39345700	19	Weight
23	31284967	1	Weight Selector Rod
24	31283016	1	Plate
25	22023500	1	7/16" x 1 1/2" Long Socket Screw
26	29431000	1	Pull pin
27	09153500	1	Cover
28	38403316	1	Dip Stand Support
29	38403416	1	Guide rod Support
30	38333067	3	Handle
31	22035500	5	M10 x 1.5 x 20mm Long Hex Head Bolt
32	02059000	9	Small Grip
33	62416300	1	Weight Label (set)
34	38403516	1	Dip Stand
35	39441900	1	Dip Stand Backrest
36	22024000	2	M8 x 1.25 x 20mm Long Hex Head Bolt
37	26011400	24	5/16" Washer
38	22025400	12	M8 x 1.25 x 60mm Long Hex Head Bolt
39	02058800	2	End Cap
40	02058900	2	Large Grip
41	30483116	1	Rear Seat Support
42	39442200	1	Rear Seat
43	39443400	2	Locking Knob
44	39442100	2	Back Cushion

ITEM	PART NO.	Q'TY	PART NAME
45	38403616	1	Front Seat Mount
46	29461000	1	Lift Tube
47	39461000	6	"D" Bushing
48	22035400	1	M12 x 1.75 x 80mm Long Hex Head Bolt
49	26023300	10	M12 Washer
50	25028400	7	M12 Locknut
51	38403716	1	Front Seat Support
52	39442300	1	Front Seat
53	02053100	6	Round Plug
54	30447067	3	Sleeve Tube
55	04039700	6	Short Sleeve
56	02029300	6	Rectangle Plug
57	38404016	1	Handlebar Support
58	29460300	6	Bronze Bushing
59	29471200	1	Axle
60	22035700	4	M8 x 1.25 x 15mm Long Hex Head Bolt
61	38404416	1	Right Swivel Bracket
62	38404516	1	Left Swivel Bracket
63	22035800	2	M12 x 1.75 x 100mm Long Hex Head Bolt
64	38404316	2	Butterfly Arm
65	38404116	1	Right Pivot Arm
66	38404216	1	Left Pivot Arm
67	22035600	2	M12x 157mm Long Hex Head Bolt
68	61195700	1	Assembly Instructions
69	39443300	2	Butterfly Pull Knob
70	04045300	2	Long Sleeve
71	29460600	1	Lockout Pin
72	29471500	1	Lower Cable
73	29471400	1	Upper Cable
74	29471300	1	Butterfly Cable
75	39437200	16	Pulley
76	22036000	1	M10 x 1.5 x 65mm Long Hex Head Bolt
77	22035900	13	M10 x 1.5 x 50mm Long Hex Head Bolt
78	31302116	2	Pulley Plate
79	29469500	4	Snap-Link
80	29461100	1	Short Chain
81	38404616	1	Pulley Bracket
82	22036100	2	M10 x 1.5 x 120mm Hex Head Bolt
83	09201800	4	Small Spacer
84	38403916	1	Handlebar
85	31308867	1	Pivot Tube
86	26023400	2	M8 Washer
87	09201900	2	Large Spacer
88	39443200	1	Handlebar Pull Knob
89	38381767	1	Lat Bar
90	38404867	1	Curl Bar
91	29479167	1	Long Chain
92	39345500	1	Pull Handle
93	13049600	1	Ankle Strap
94	60129500	1	Usage Manual
95	09190100	2	Rubber Pad
96	04029501	2	Pad

IMPORTANT

PLEASE READ ASSEMBLY INSTRUCTIONS CAREFULLY BEFORE ASSEMBLING.

FIGURE 1

- Step 1. Push CAPS (1) over ends of FRONT FLOOR TUBE (2), DIP STAND BASE (3) and BASE (4). (It is option:Dip Stand Step)
- Step 2. Attach FRONT FLOOR TUBE (2), with BRACKET to front side, to LONG END of BASE (4), with BRACKETS facing up, using FLAT PLATE (5), BOLTS (6), WASHERS (7) and LOCKNUTS (8).
- Step 3. Attach DIP STAND BASE (3) to BASE (4) with BOLTS (6), WASHERS (7) and LOCKNUTS (8).

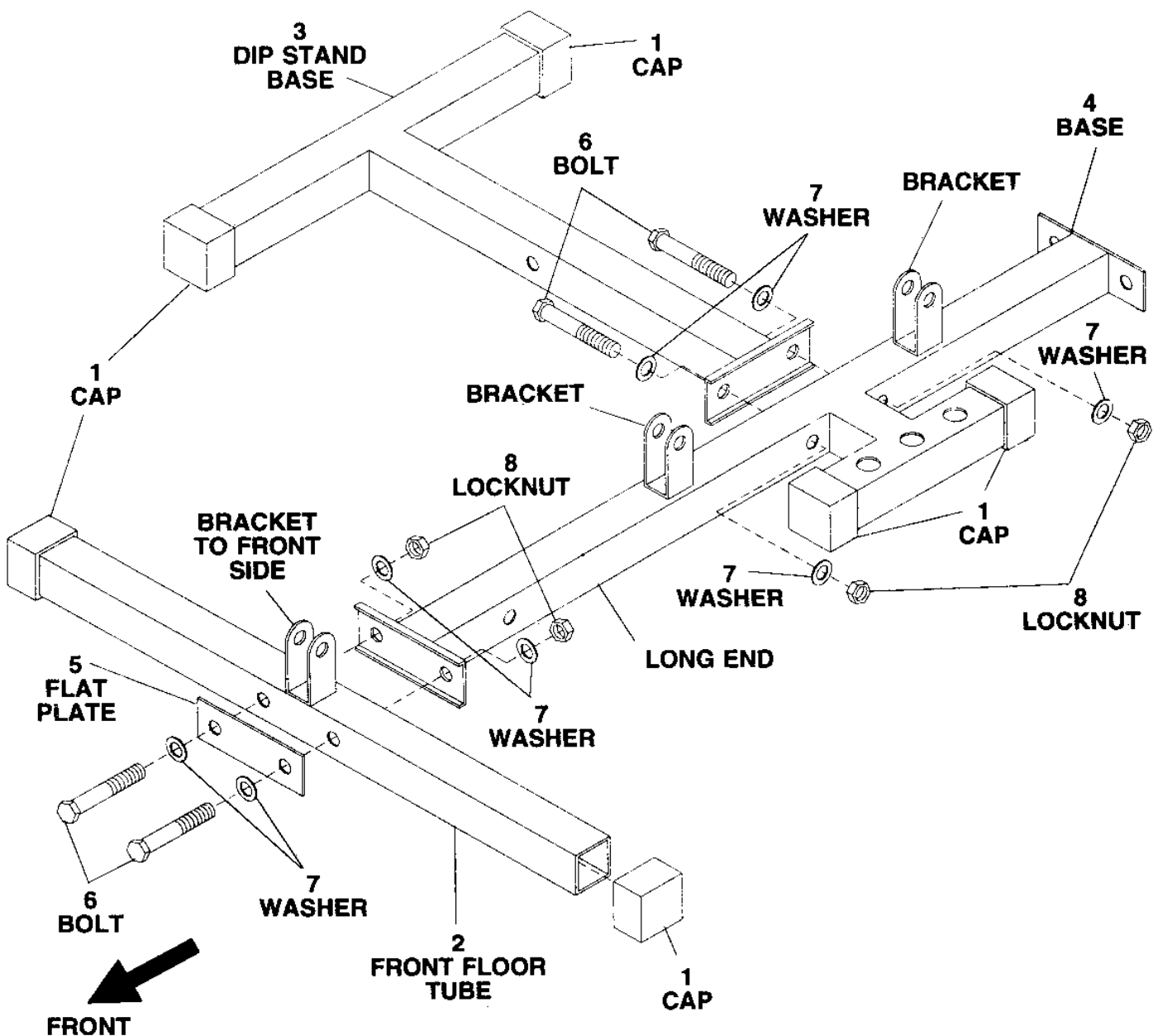


FIGURE 2

Step 4. Push CAPS (1) over ends of REAR FLOOR TUBE (9).

Step 5. Push 2" SQUARE PLUG (10) into REAR SUPPORT (12).

Step 6. Push 1 1/2" SQUARE PLUGS (11) into REAR SUPPORT (12).

Step 7. Attach REAR FLOOR TUBE (9) and REAR SUPPORT (12) to BASE (4) with BOLTS (6), WASHERS (7) and LOCKNUTS (8).

Step 8. Attach FRONT SUPPORT (14), with STOP TUBE facing FRONT, to BASE (4) with BOLT (6), WASHERS (7) and LOCKNUT (8).

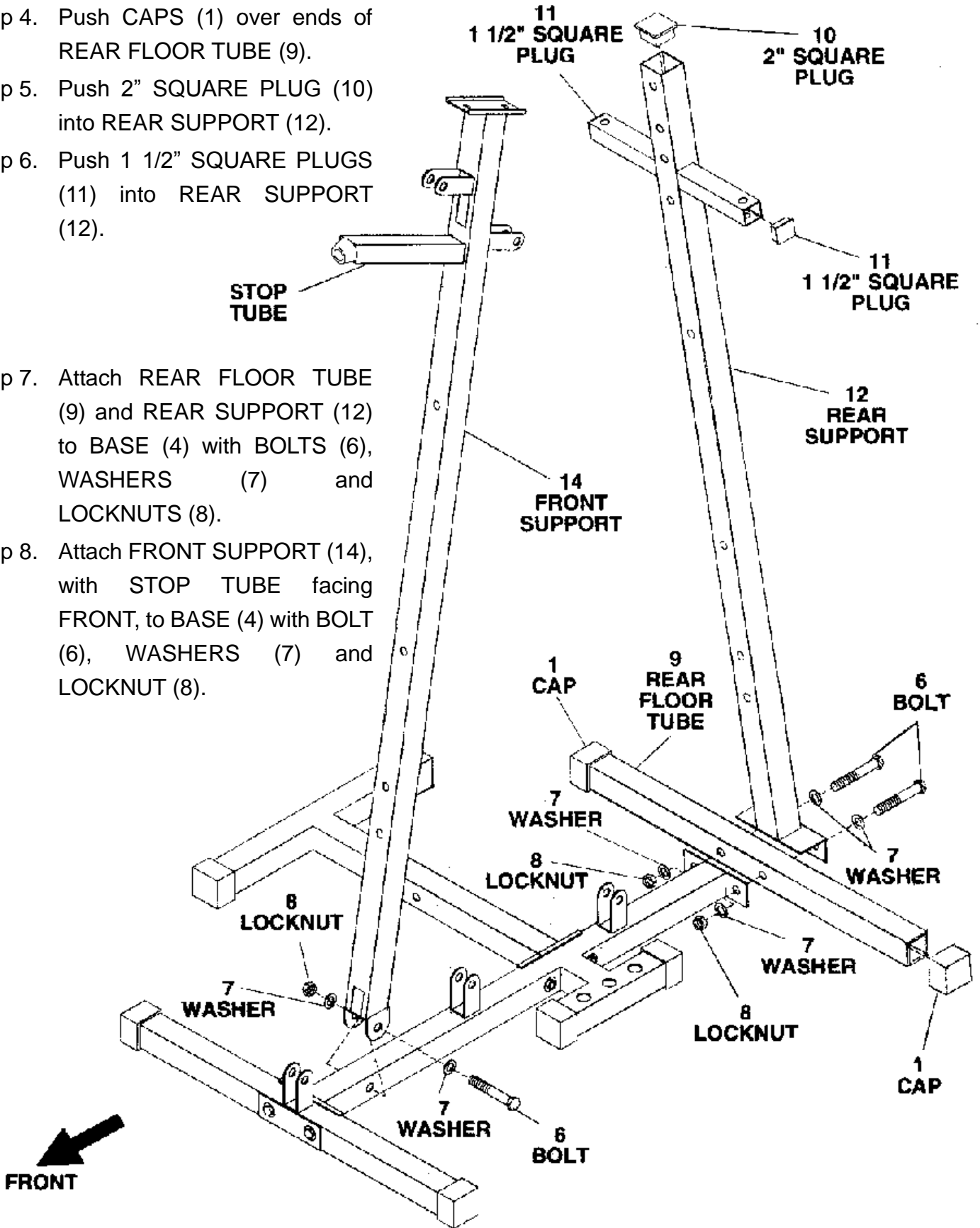


FIGURE 3

- Step 9. Push 2" SQUARE PLUG (10) into TOP SUPPORT (15).
- Step 10. Attach TOP SUPPORT (15), with BRACKETS facing down, to FRONT SUPPORT (14) using BOLTS (6), CHANNEL PLATE (16), WASHERS (7) and LOCKNUTS (8).
- Step 11. Attach TOP SUPPORT (15) to REAR SUPPORT (12), through TOP HOLES, with BOLTS (6), CHANNEL PLATE (16), WASHERS (7) and LOCKNUTS (8).
- Step 12. Attach BUTTERFLY MOUNT (17) to REAR SUPPORT (12) with BOLTS (6), FLAT PLATE (5), WASHERS (7) and LOCKNUTS (8). Press RUBBER PADS (95) into holes on backside of BUTTERFLY MOUNT.

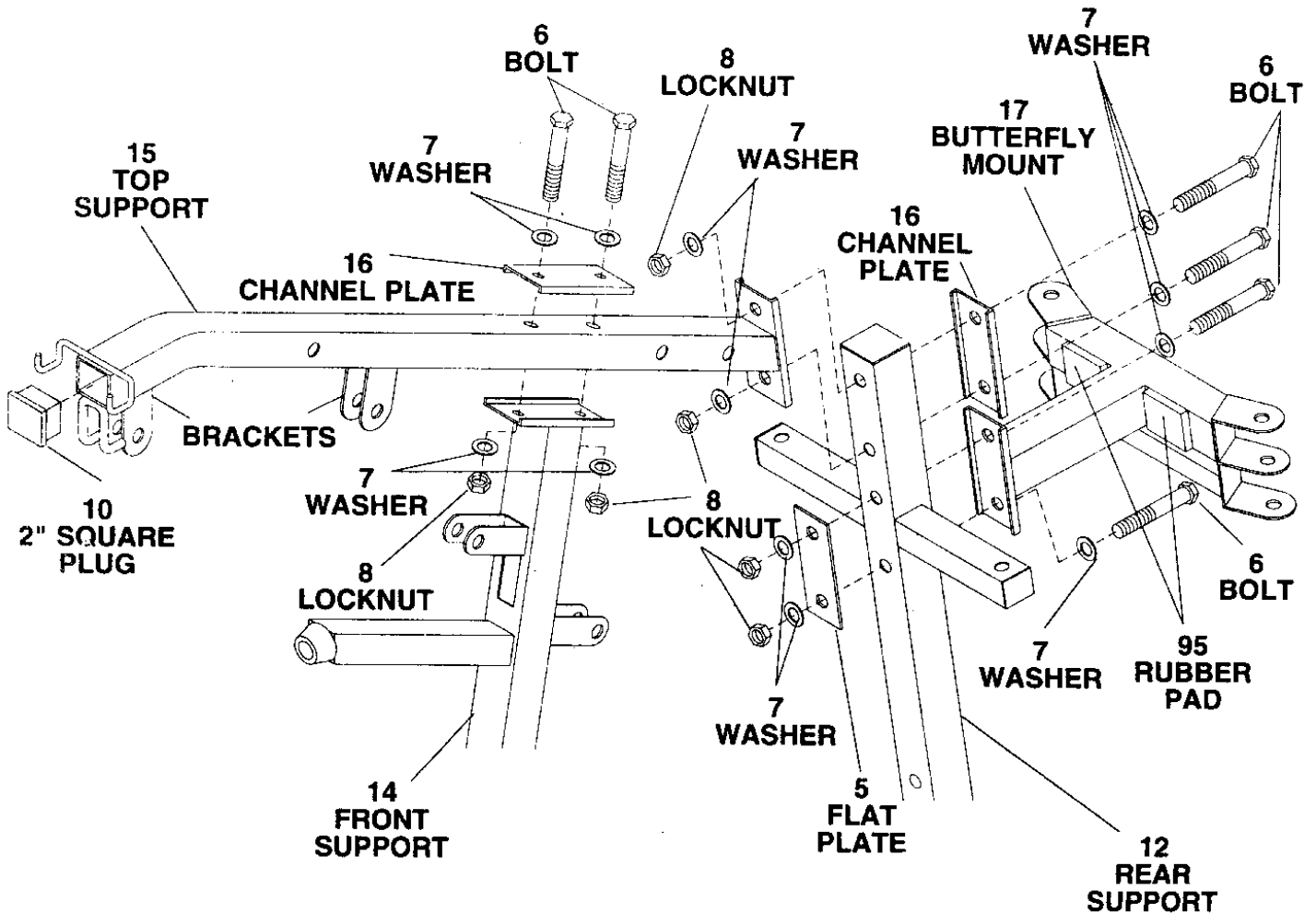
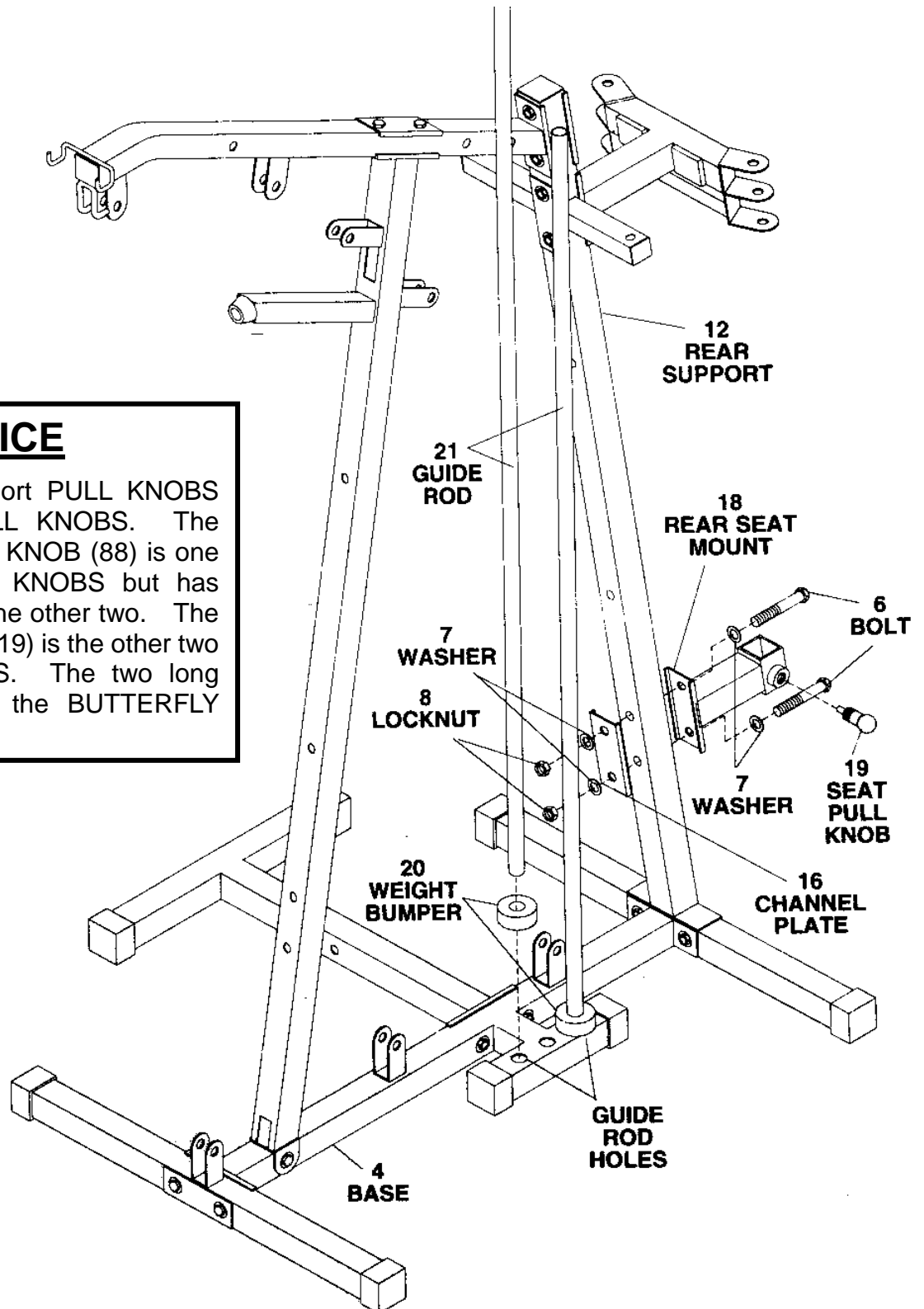


FIGURE 4

- Step 13. Attach REAR SEAT MOUNT (18), to one of three mounting positions, on REAR SUPPORT (12) with BOLTS (6), CHANNEL PLATE (16), WASHERS (7) and LOCKNUTS (8).
- Step 14. Thread SEAT PULL KNOB (19) into REAR SEAT MOUNT (18).
- Step 15. Slide WEIGHT BUMPERS (20) onto GUIDE RODS (21) and insert GUIDE RODS into GUIDE ROD HOLES in BASE (4).

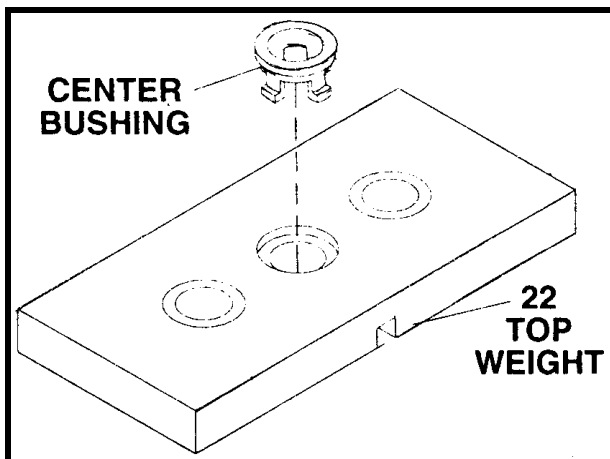


NOTICE

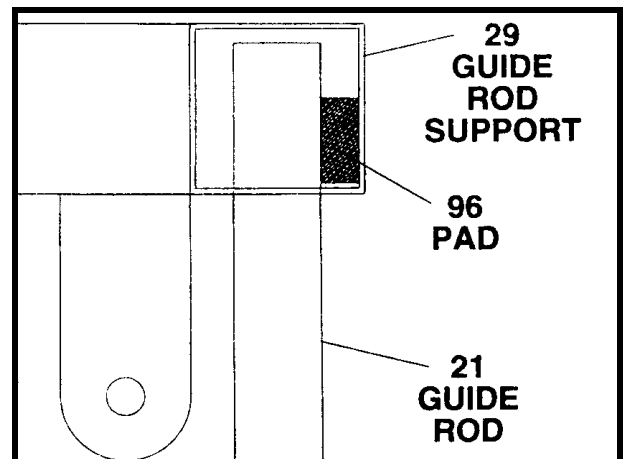
There are three short PULL KNOBS and two long PULL KNOBS. The HANDLEBAR PULL KNOB (88) is one of the short PULL KNOBS but has more threads than the other two. The SEAT PULL KNOB (19) is the other two short PULL KNOBS. The two long PULL KNOBS are the BUTTERFLY PULL KNOBS (69).

FIGURE 5

- Step 16. Carefully slide WEIGHTS (22), one at a time with GROOVE on bottom and facing outside, down GUIDE RODS (21).
- NOTE:** Remove CENTER BUSHING from TOP WEIGHT – see DETAIL “A” below.
- Step 17. Insert WEIGHT SELECTOR ROD (23) into CENTER HOLE of PLATE (24) and fasten, at TOP HOLE, with SOCKET SCREW (25).
- Step 18. Slide PLATE (24) down GUIDE RODS (21), with SOCKET SCREW (25) facing outside, and insert PULLPIN (26) through GROOVE in BOTTOM WEIGHT (22) and BOTTOM HOLE of WEIGHT SELECTOR ROD (23).
- Step 19. Slide COVER (27) down GUIDE RODS (21), with HOLE facing outside, and over PLATE (24) until SOCKET SCREW (25) locks into HOLE in COVER.
- Step 20. Attach DIP STANT SUPPORT (28) to DIP STAND BASE (3) with BOLT (6), WASHERS (7) and LOCKNUT (8).
- Step 21A. Push a PAD (96) into each side of GUIDE ROD SUPPORT (29), between GUIDE RODS (21) and wall of GUIDE ROD SUPPORT – see DETAIL “B”.
- Step 21B. Push 2” SQUARE PLUGS (10) into GUIDE ROD SUPPORT (29).
- Step 22. Slide GUIDE ROD SUPPORT (29) onto GUIDE RODS (21).
- Step 23. Attach GUIDE ROD SUPPORT (29) and DIP STAND SUPPORT (28) to TOP SUPPORT (15) with BOLTS (6), WASHERS (7) and LOCKNUTS (8).
- Step 24. Insert HANDLE (30) into DIP STAND SUPPORT (28) and fasten with BOLT (31) and WASHER (7).
- Step 25. Push SMALL GRIP (32) onto HANDLE (30).
- Step 26. Apply WEIGHT LABELS (33) to WEIGHTS (22) as follows:
20lb. LABEL to TOP WEIGHT.
(WEIGHT SELECTOR ROD (23) and PLATE (24) weigh 10lbs.)
Continue applying WEIGHT LABELS until 2001b. LABEL is applied



DETAIL “A”



DETAIL “B”

FIGURE 5

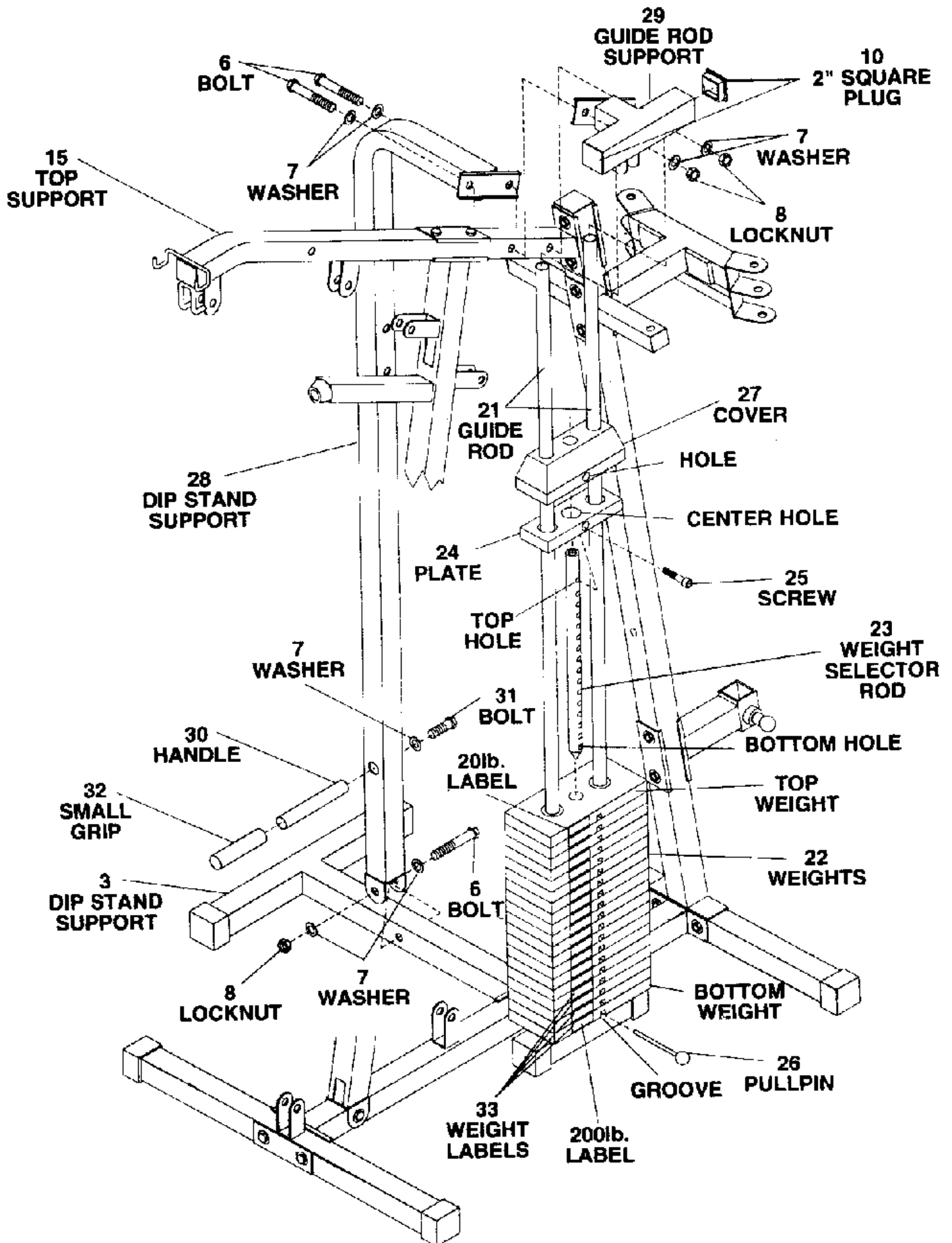


FIGURE 6

(Step 27-32 :It is option:Dip Stand Step)

Step 27. Attach DIP STAND (34), with LONG END facing down, to DIP STAND SUPPORT (28) with BOLTS (6), CHANNEL PLATE (16), WASHERS (7) and LOCKNUTS (8). Step 28. Attach DIP STAND BACKREST (35) to DIP STAND (34) with BOLTS (60) and WASHERS (37). Step 29. Attach ARM CUSHIONS (13) to DIP STAND (34) with BOLTS (38) and WASHERS (37).

Step 30. Push END CAPS (39) and LARGE GRIPS (40) onto DIP STAND (34).

Step 31. Insert HANDLES (30) into DIP STAND (34) and fasten with BOLTS (31) and WASHERS (7).

Step 32. Push SMALL GRIPS (32) onto HANDLES (30).

(Step 27-32 :It is option:Dip Stand Step)

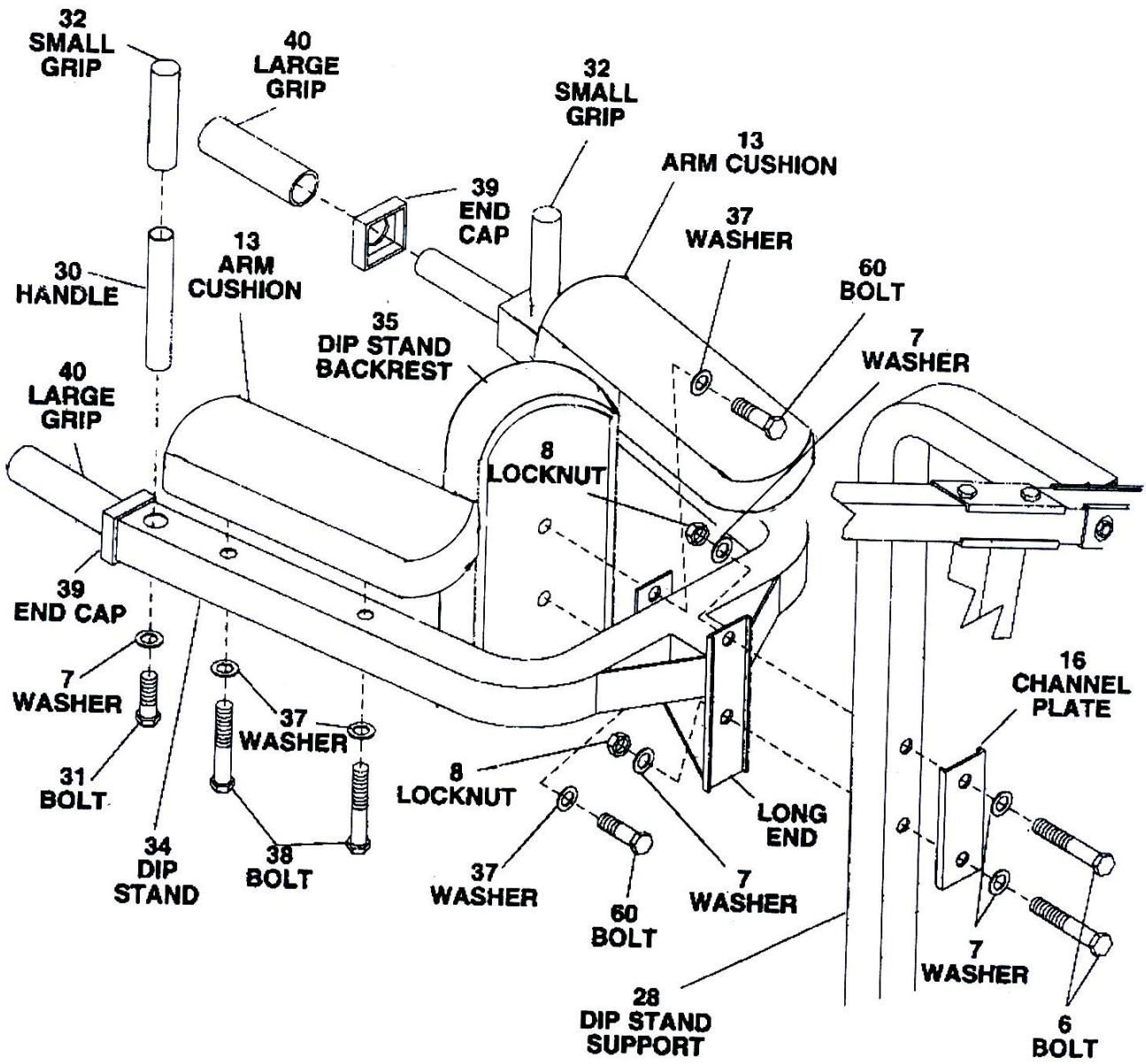


FIGURE 7

- Step 33. Push 2" SQUARE PLUGS (10) into ends of REAR SEAT SUPPORT (41) as shown.
- Step 34. Attach REAR SEAT (42) to REAR SEAT SUPPORT (41) with BOLTS (38) and WASHERS (37).
- Step 35. Pull SEAT PULL KNOB (19) and insert REAR SEAT SUPPORT (41), with SMALL END of REAR SEAT (42) facing REAR, into REAR SEAT MOUNT (18) and release SEAT PULL KNOB to lock REAR SEAT SUPPORT at desired height.
- Step 36. Thread LOCKING KNOB (43) into REAR SEAT MOUNT (18) and tighten.
- NOTE :** Always tighten LOCKING KNOB before each use.
- Step 37. Attach BACK CUSHION (44) to REAR SUPPORT (12) using BOLTS (38) AND washers (37).

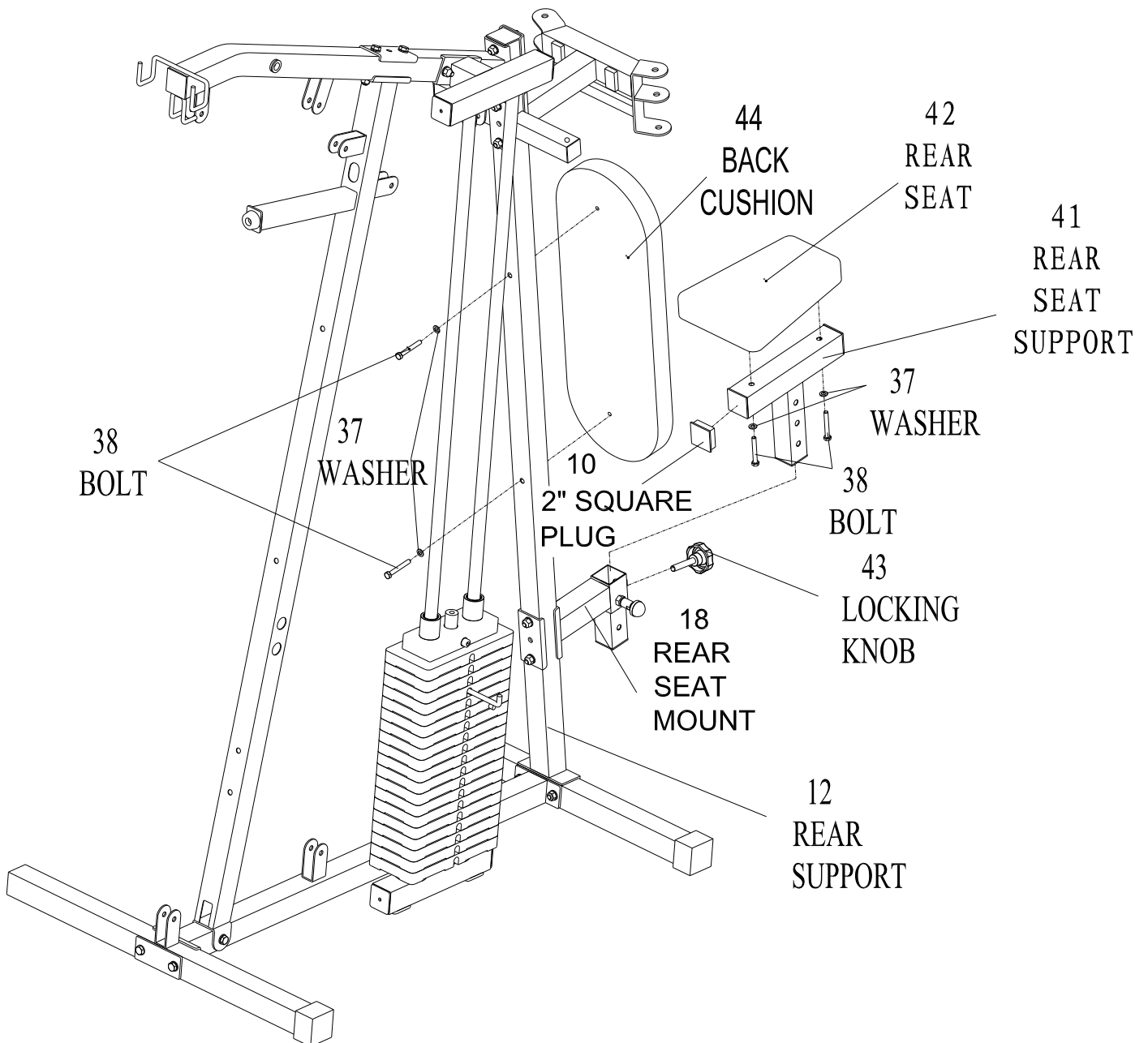


FIGURE 8

- Step 38. Thread a SEAT PULL KNOB (19) into GUIDE TUBE of FRONT SEAT MOUNT (45).
- Step 39. Attach FRONT SEAT MOUNT (45) to FRONT SUPPORT (14), with 2" SQUARE PLUG (10) facing up, using CHANNEL PLATE (16), BOLT (6), WASHERS (7) and LOCKNUTS (8).
- Step 40. Push 2" SQUARE PLUGS (10) into FRONT SEAT MOUNT (45) and LIFT TUBE (46).
- Step 41. Push "D" BUSHINGS (47) (see DETAIL "A") into LIFT TUBE (46) and attach LIFT TUBE, with GUIDE WIRE to FRONT, to BRACKET of FRONT SEAT MOUNT (45) using BOLT (48), WASHERS (49) and LOCKNUT (50).

NOTE : DO NOT over tighten LOCKNUT. LIFT TUBE must pivot freely.

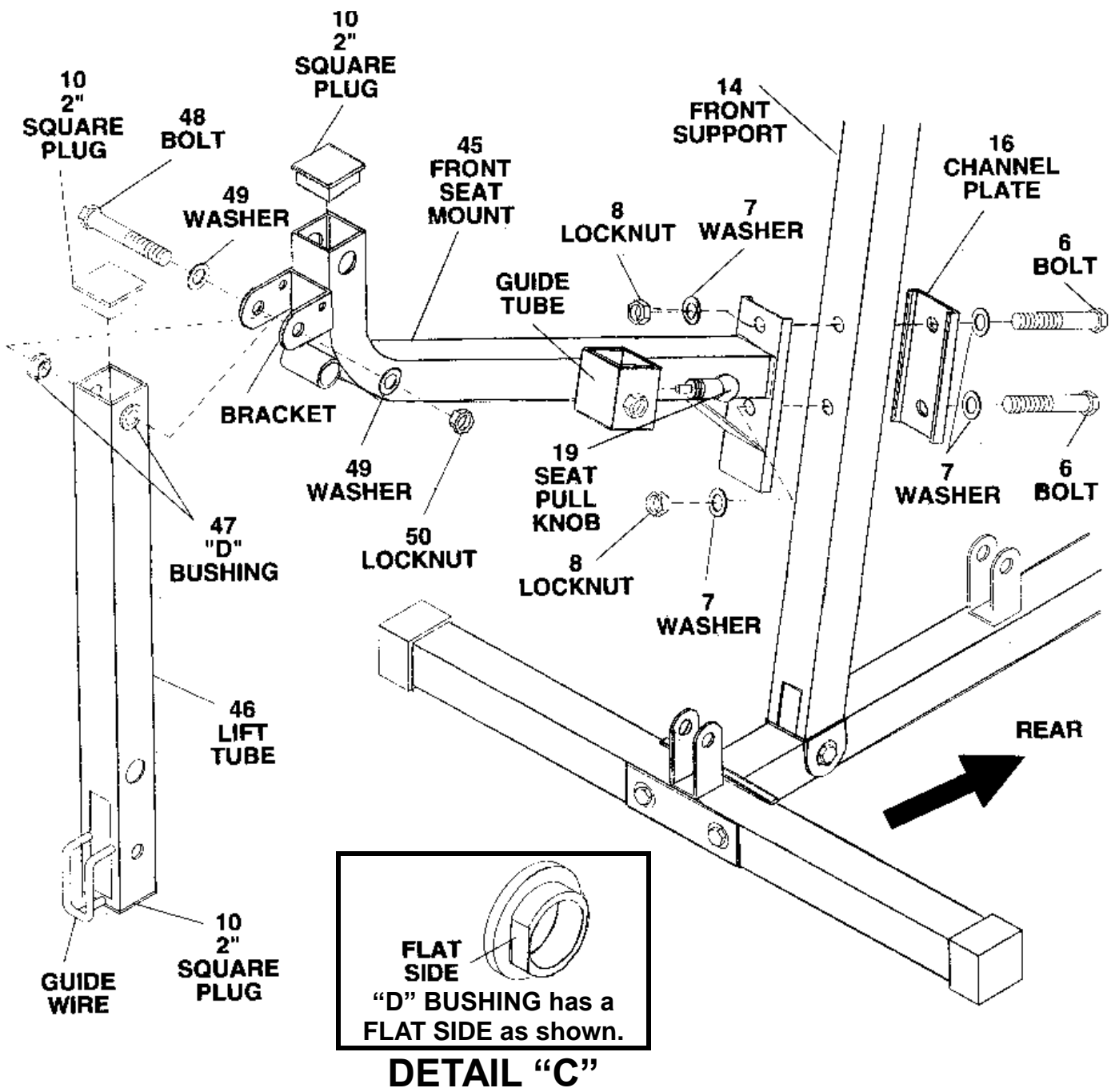


FIGURE 9

- Step 42. Push 2" SQUARE PLUGS (10) into FRONT SEAT SUPPORT (51).
- Step 43. Attach FRONT SEAT (52) to FRONT SEAT SUPPORT (51), so that SMALL END will be facing FRONT, with BOLTS (38) and WASHERS (37),
- Step 44. Pull SEAT PULL KNOB (19) and insert FRONT SEAT SUPPORT (51), with SMALL END of FRONT SEAT (52) facing FRONT, into GUIDE TUBE of FRONT SEAT MOUNT (45) and release SEAT PULL KNOB for lock FRONT SEAT SUPPORT at desired height.
- Step 45. Thread LOCKING KNOB (43) into GUIDE TUBE of FRONT SEAT MOUNT (45) and tighten.
NOTE : Always tighten LOCKING KNOB before each use.
- Step 46. Attach BACK CUSHION (44) to FRONT SUPPORT (14) with BOLTS (38) and WASHERS (37).

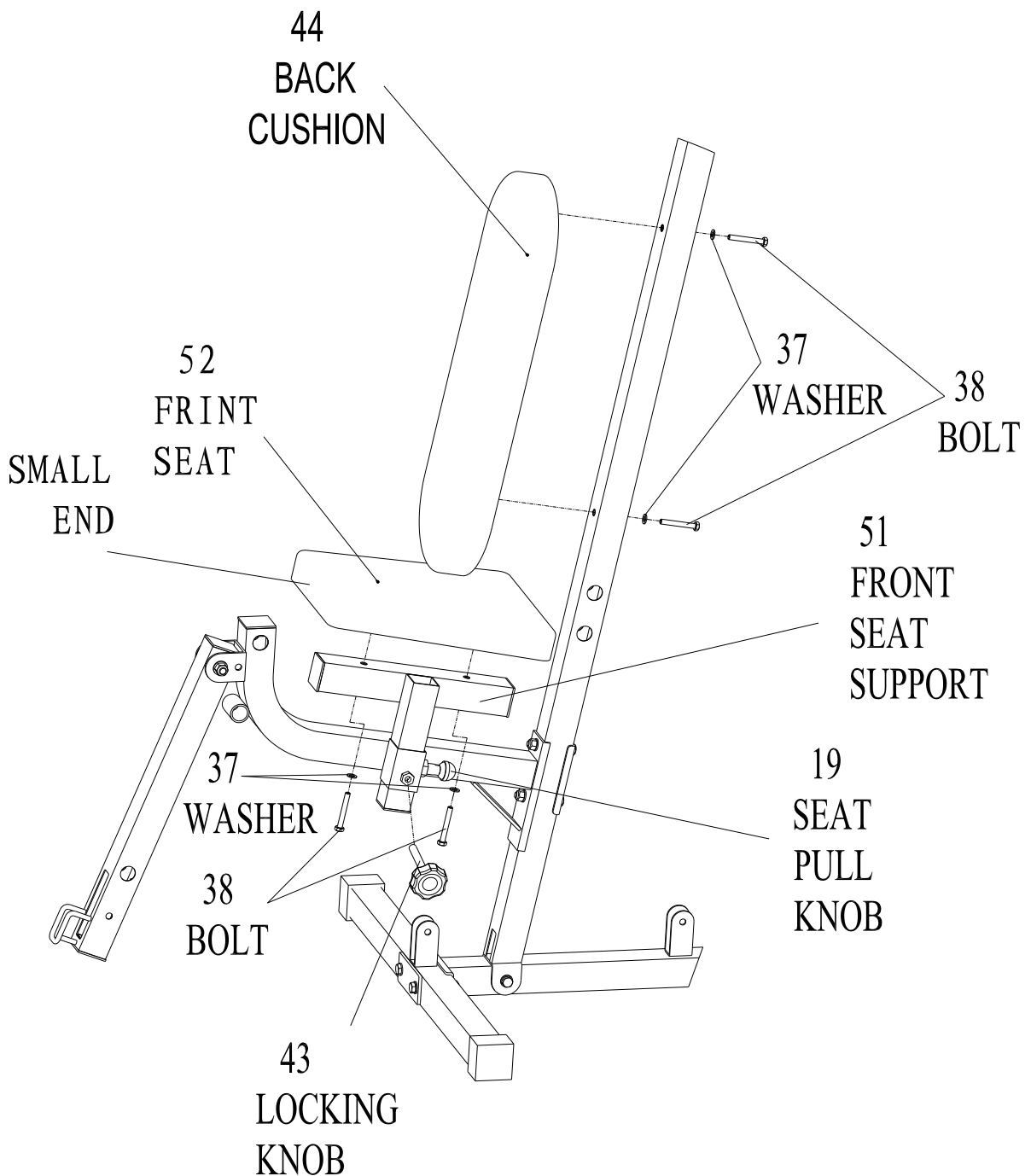


FIGURE 10

Step 47. Push ROUND PLUGS (53) into each end of SLEEVE TUBES (54).

Step 48. NOTE: Spray window cleaner applied to inside of SHORT SLEEVES (55) and outside of SLEEVE TUBES (54) will help SHORT SLEEVES slide on easier.

Push one SHORT SLEEVE onto one end only of each SLEEVE TUBE until flush with end of SLEEVE TUBE.

Step 49. Slide SLEEVE TUBES (54) through LIFT TUBE (46) and LOWER or UPPER LOCATION in FRONT SEAT MOUNT (45).

Step 50. Slide other SHORT SLEEVES (55) onto other end of SLEEVE TUBES (54).

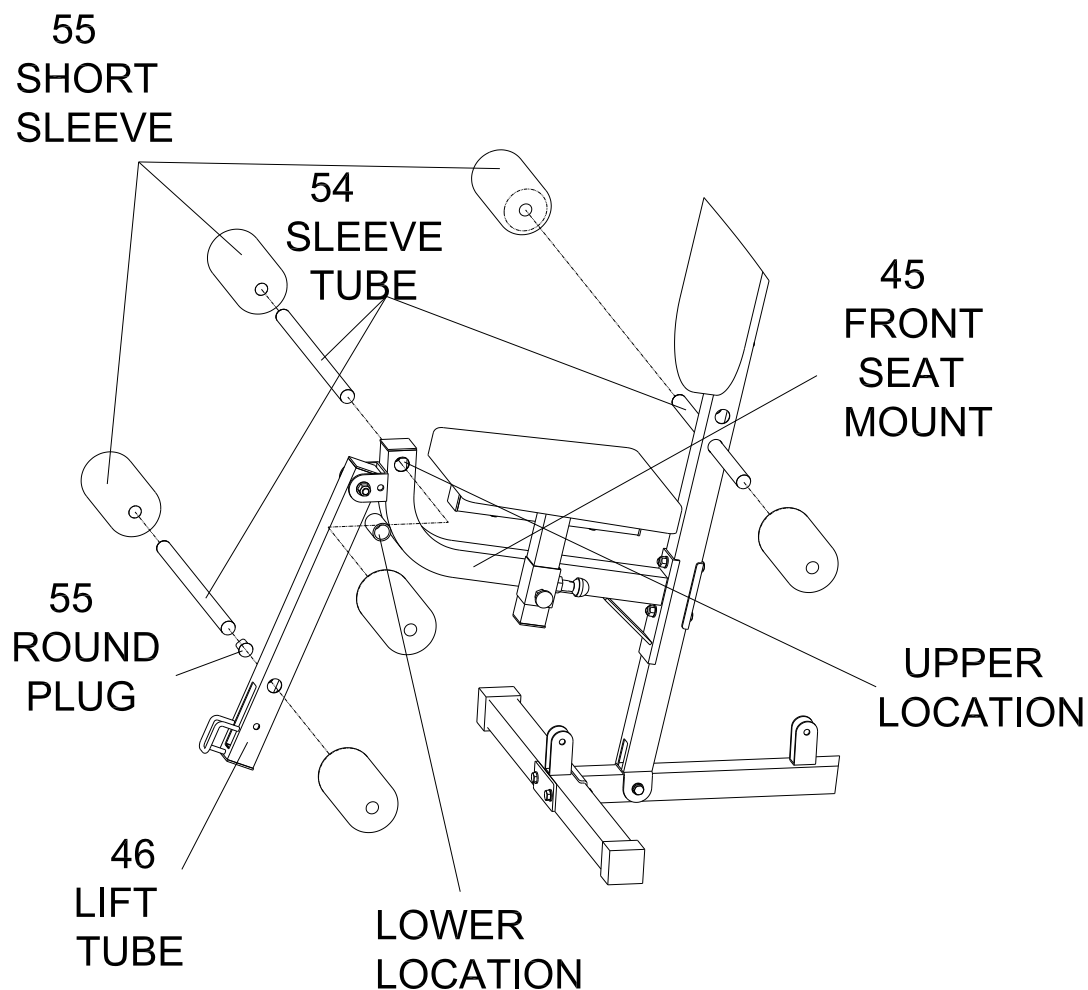


FIGURE 11

- Step 51. Push Rectangle Plugs (56) into HANDLEBAR SUPPORT (57).
- Step 52. Push BRONZE BUSHINGS (58) into TOP SUPPORT (15) and HANDLEBAR SUPPORT (57).
- Step 53. Thread LOCKNUT (50) onto AXLE (59) until tight.
- Step 54. Insert AXLE (59) through BRONZE BUSHINGS (58) in HANDLEBAR SUPPORT (57) and TOP SUPPORT (15) and fasten with LOCKNUT (50).
- NOTE :** Adjustment plate must be on right side as shown.
- Step 55. Thread BOLT (60) into top of TOP SUPPORT (15) to lock AXLE (59) in place.
- NOTE : DO NOT** over tighten BOLT. It needs just enough pressure to keep the AXLE from turning when in use.

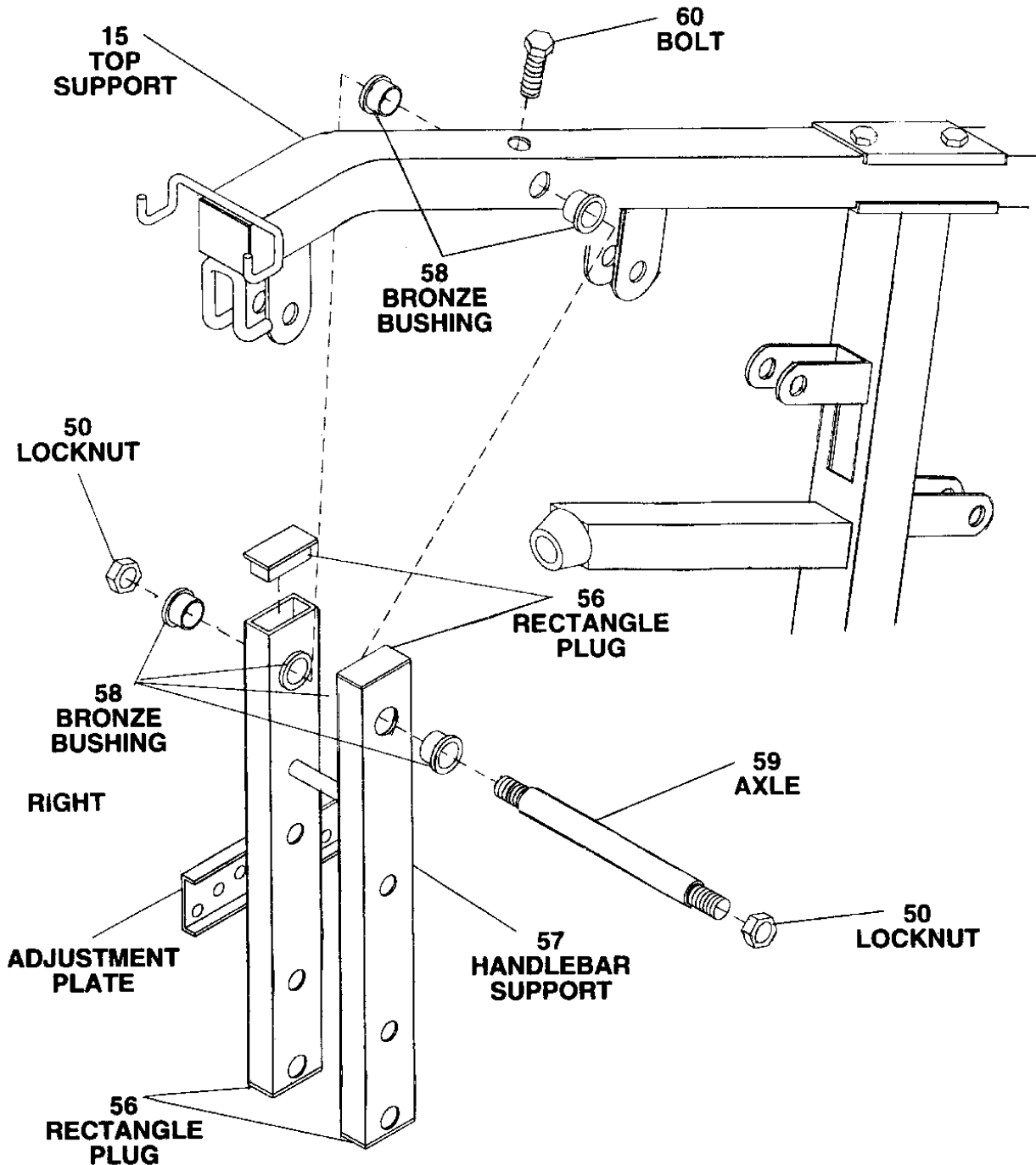


FIGURE 12

- Step 56. Attach SWIVEL BRACKETS (61 RIGHT & 62 LEFT), with TOP of SWIVEL BRACKET leaning to outside as shown in DETAIL "B" to each side of REAR SUPPORT (12) using BOLTS (63), WASHERS (49) and LOCKNUTS (50).
- Step 57. Push 2" SQUARE PLUGS (10) into each end of PIVOT ARMS (56 RIGHT & 66 LEFT).
- Step 58. Push BRONZE BUSHINGS (47) into PIVOT ARMS (65 & 66).
- Step 59. Attach PIVOT ARMS (65 & 66) and BUTTERFLY ARMS (64) to BUTTERFLY MOUNT (17) with BOLTS (67), WASHERS (49) and LOCKNUTS (50).
- NOTE:** DO NOT over tighten LOCKNUTS. Lubricate FLANGE of "D" BUSHING (47) with machine oil or other household lubricant.
- Step 60. Thread BUTTERFLY PULL KNOBS (69) into PIVOT ARMS (65& 66) until tight.
- Step 61. Pull BUTTERFLY PULL KNOBS (69) adjust BUTTERFLY ARMS (64) to desired position and release BUTTERFLY PULL KNOBS to lock in place.
- Step 62. **NOTE:** Spray window cleaner applied to BUTTERFLY ARMS (64), and inside LONG SLEEVES (70) will help LONG SLEEVES slide on easier. Slide LONG SLEEVES onto BUTTERFLY ARMS until flush with end.

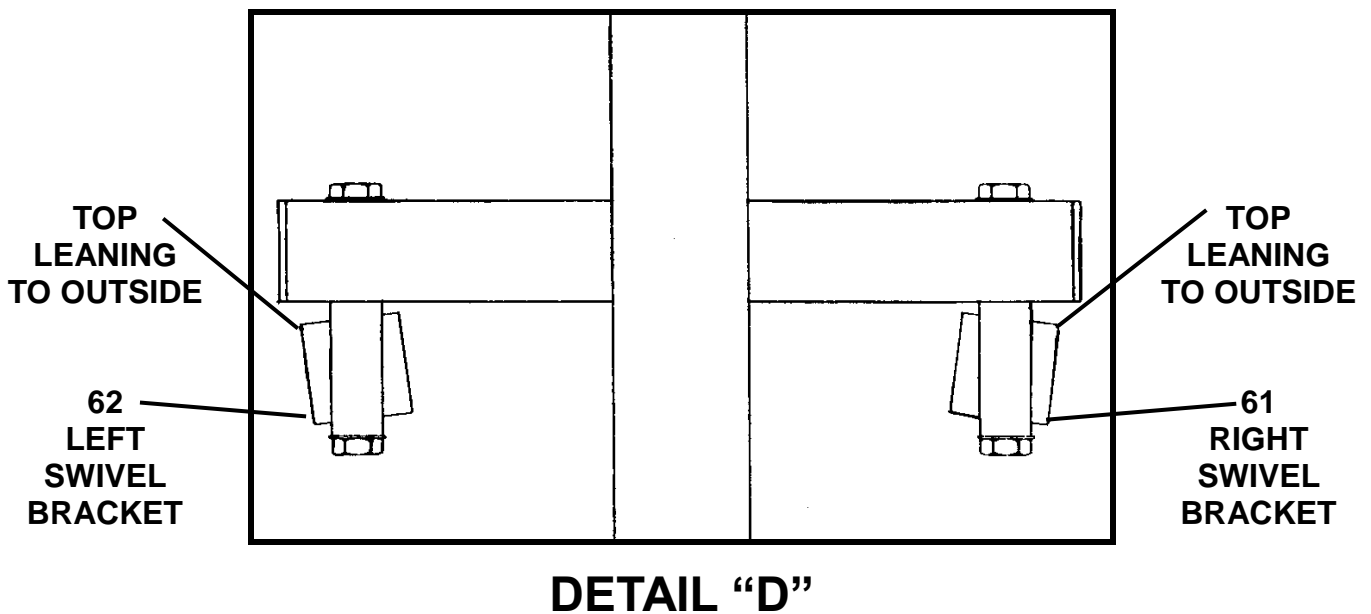


FIGURE 12

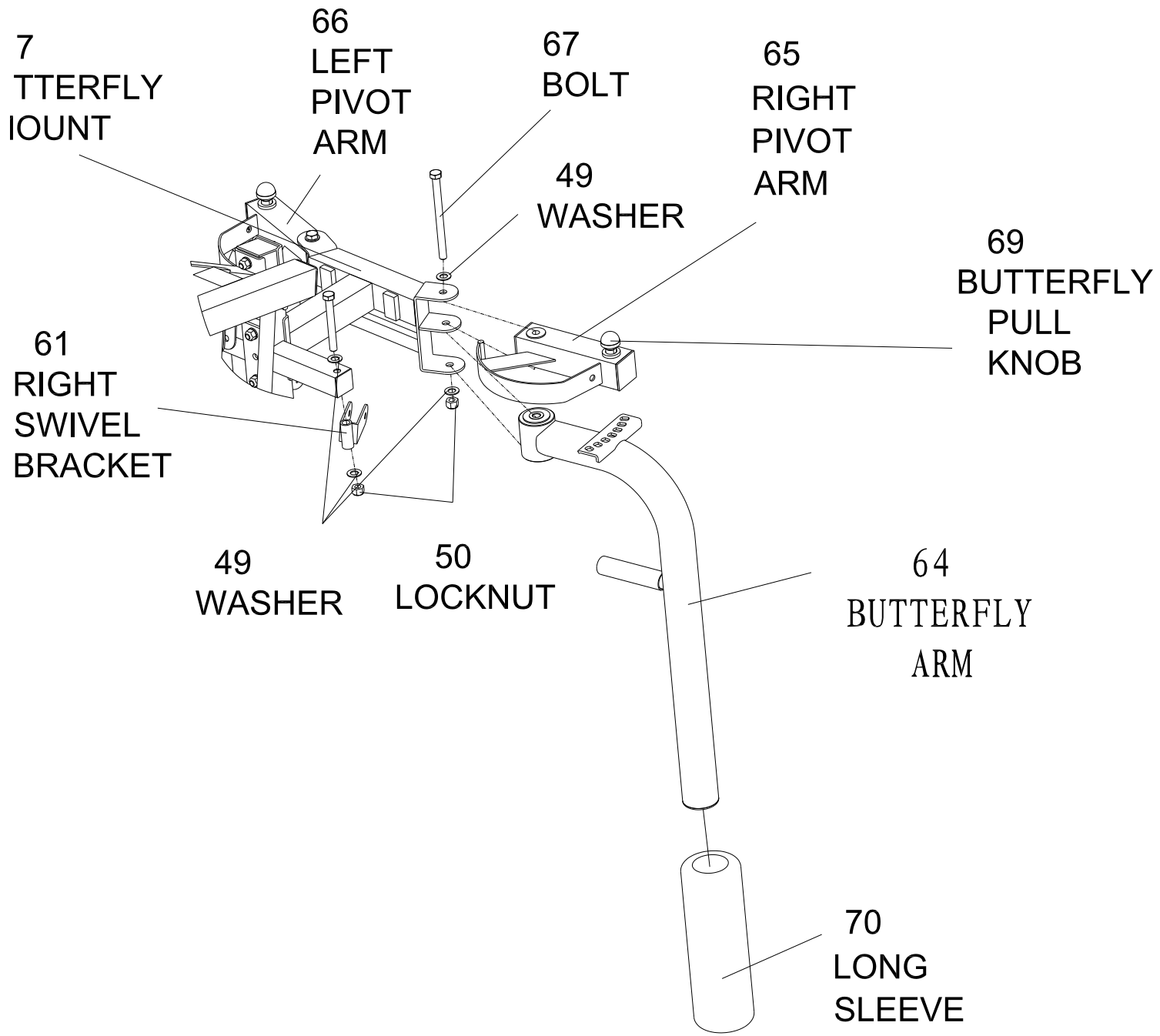


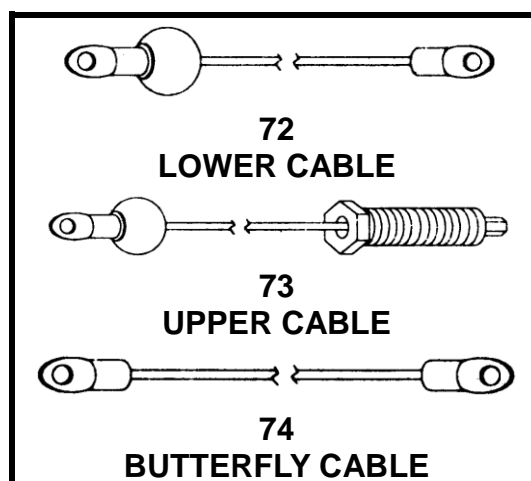
FIGURE 13

- Step 63. **NOTE:** See USAGE MANUAL (94) for specific exercises that require LIFT TUBE (46) to be locked.
Insert LOCKOUT PIN (71) completely through both sides of BRACKET of FRONT SEAT MOUNT (45) to lock LIFT TUBE.
- Step 64. **NOTE:** There are three CABLES – see DETAIL “E” below. The LOWER CABLE (72) has a BALL on one end and an EYE on the other. The UPPER CABLE (73) has a BALL on one end and a threaded SCREW on the other. The BUTTERFLY CABLE (74) has EYES at both ends.
Insert EYE end of LOWER CABLE (72) through GUIDE WIRE and LIFT TUBE (46) then through SLOT in FRONT SUPPORT (14).
- Step 65. **NOTE:** PULLEY COVERS are all the same. The PULLEY COVERS are designed so that CABLES will ride in SLOTS and keep CABLE locked onto PULLEYS (75).
Place LOWER CABLE (72) in GROOVE of PULLEY (75) and place PULLEY COVERS on each side so that LOWER CABLE is locked in SLOT of each PULLEY COVER and PIVOT TUBE in PULLEY locks in HOLES of PULLEY COVERS.

IMPORTANT

ALL PULLEY and PULLEY COVERS are to be assembled in this manner.

- Step 66. Place PULLEY (75), LOWER CABLE (72) and PULLEY COVER ASSEMBLY into LIFT TUBE (46) and fasten with BOLT (76), WASHERS (7) and LOCKNUT (8).
- Step 67. Assemble PULLEY (75), LOWER CABLE (72) and PULLEY COVERS and attach to FRONT, CENTER and REAR PULLEY MOUNTS with BOLTS (77), WASHERS (7) and LOCKNUTS (8).
- Step 68. Make a PULLEY (75), LOWER CABLE (72) and PULLEY COVER ASSEMBLY between CENTER and REAR PULLEY MOUNT. Attach ASSEMBLY together with PULLEY PLATES (78) using BOLT (77), WASHERS (7) and LOCKNUT (8).
- Step 69. Attach SNAP-LINK (79) to both ends of SHORT CHAIN (80).
- Step 70. Attach SNAP-LINK (79) at one end of SHORT CHAIN (80) to EYE end of LOWER CABLE (72) and the other end to PULLEY BRACKET (81).



DETAIL "E"

FIGURE 13

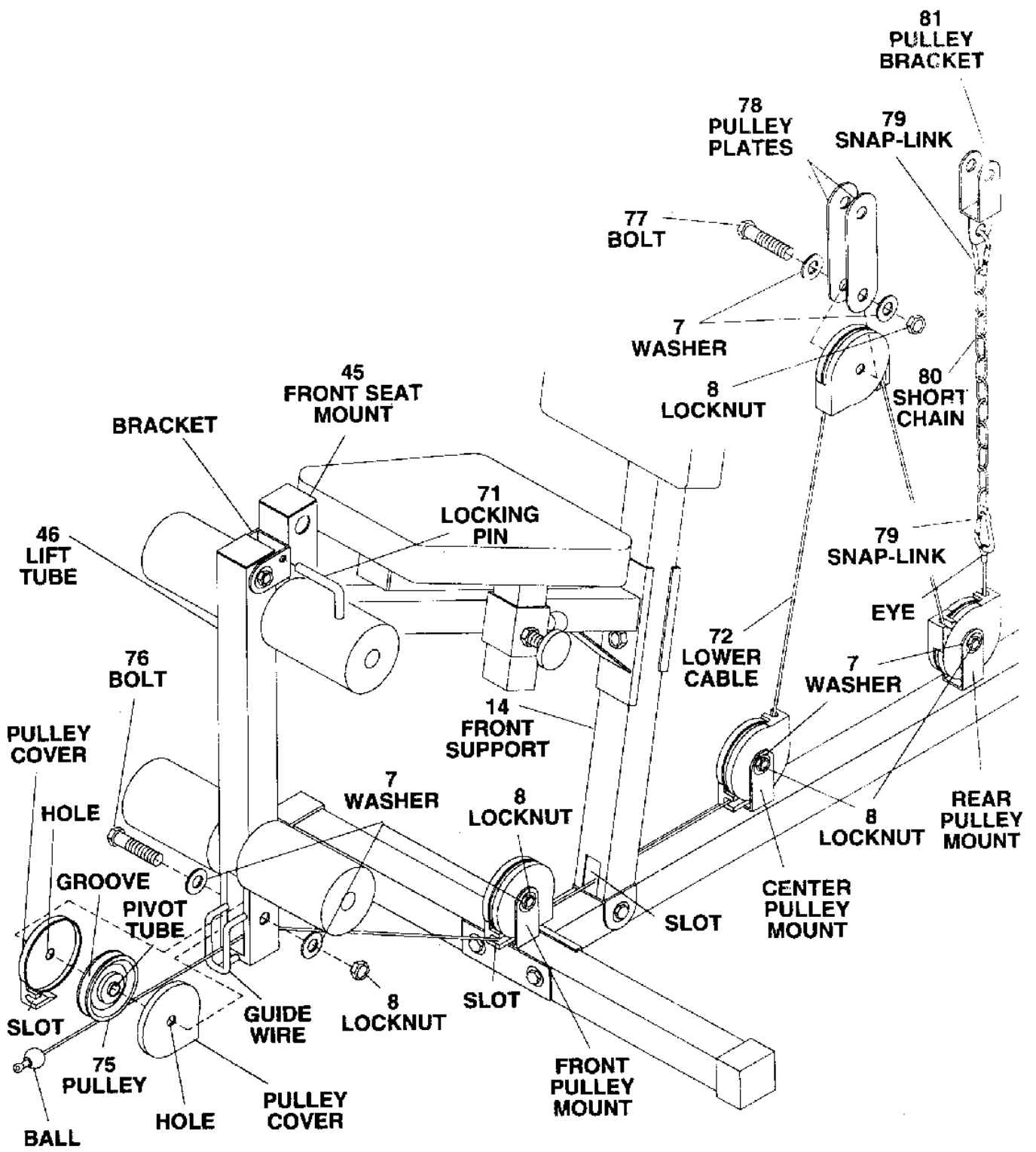


FIGURE 14

Step 71. Insert SCREW end of UPPER CABLE (73) through GUIDE WIRE of TOP SUPPORT (15), over ROD of HANDLEBAR SUPPORT (57). through SLOT in FRONT SUPPORT (14) and thread into WEIGHT SELECTOR ROD (23).

NOTE: About 3 or 4 turns into WEIGHT SELECTOR ROD should be enough to hold UPPER CABLE temporarily.

Step 72. Assemble PULLEY (75), UPPER CABLE (73) and PULLEY COVERS and attach to PULLEY MOUNT #1 with BOLT (77), WASHERS (7) and LOCKNUT (8).

Step 73. Assemble PULLEY (75), UPPER CABLE (73) and PULLEY COVERS and attach to PULLEY MOUNT #2 with BOLT (77), WASHERS (7) and LOCKNUT (8).

Step 74. Assemble two PULLEYS (75), UPPER CABLE (73) and PULLEY COVERS and attach to HANDLEBAR SUPPORT (58) with BOLTS (82), washers (7), SMALL SPACERS (83) and LOCKNUTS (8).

Step 75. Assemble PULLEY (75), UPPER CABLE (73) and PULLEY COVERS and attach to PULLEY MOUNT #3 with BOLT (77), WASHERS (7) and LOCKNUT (8).

Step 76. Assemble PULLEY (75), UPPER CABLE (73) and PULLEY COVERS and attach to PULLEY MOUNT #4 with BOLT (77), WASHERS (7) and LOCKNUT (8).

Step 77. Assemble PULLEY (75), UPPER CABLE (73) and PULLEY COVERS and attach to other end of PULLEY PLATES (78) with BOLT (77), WASHERS (7) and LOCKNUT (8).

Step 78. Assemble PULLEY (75), UPPER CABLE (73) and PULLEY COVERS and attach to PULLEY MOUNT #5 with BOLT (77), WASHERS (7) and LOCKNUT (8).

FIGURE 14

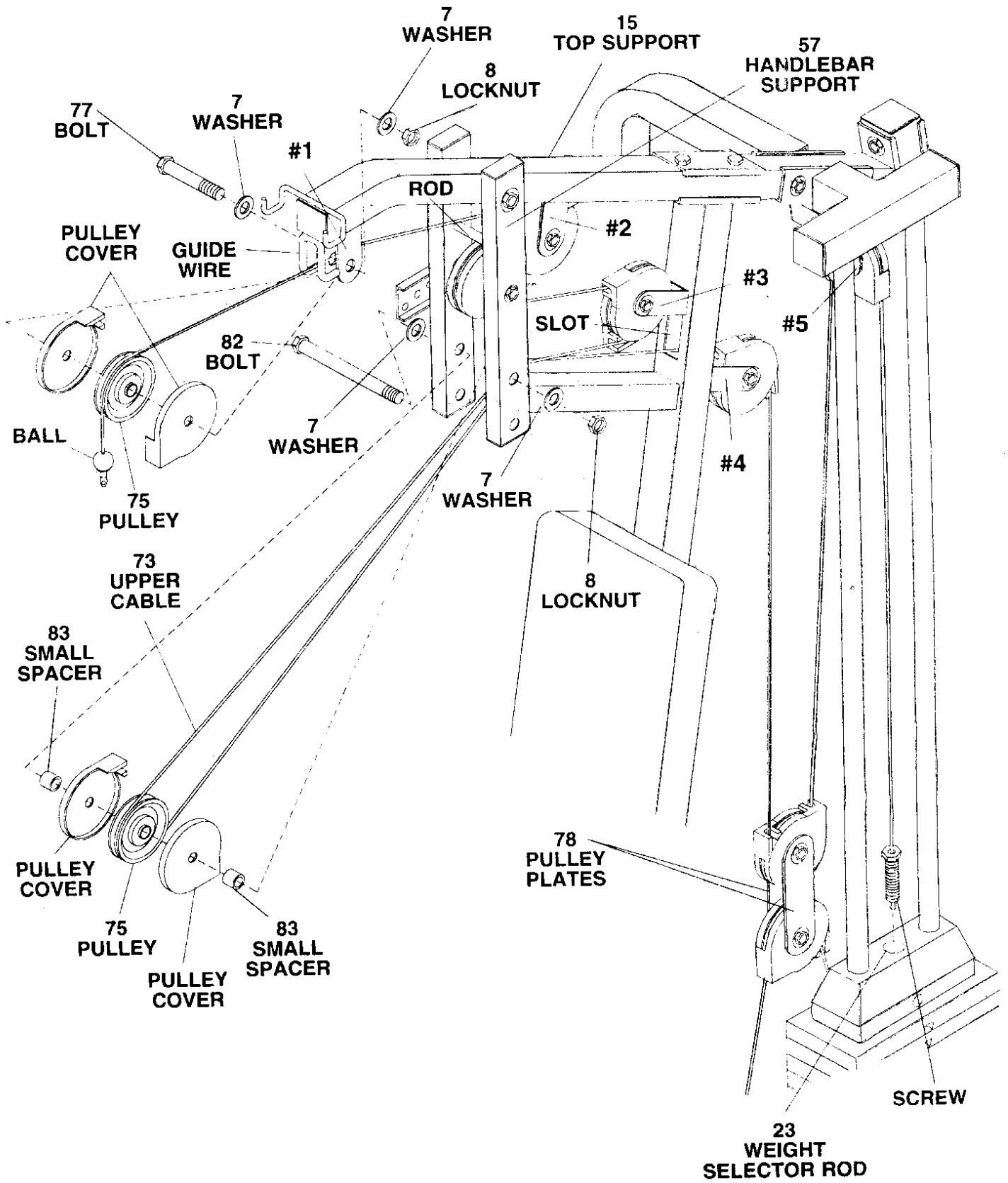


FIGURE 15

- Step 79. Assemble PULLEY (75), BUTTERFLY CABLE (74) and PULLEY COVERS and attach to PULLEY BRACKET (81) with BOLT (77), WASHERS (7) and LOCKNUT (8).
- Step 80. Assemble PULLEY (75), BUTTERFLY CABLE (74) and PULLEY COVERS and attach to SWIVEL BRACKETS (61 & 62) on each side of REAR SUPPORT (12) with BOLT (77), WASHERS (7) and LOCKNUT (8).
- Step 81. Attach EYES of BUTTERFLY CABLE (74) to CABLE GUIDE of PIVOT ARMS (65 & 66) with BOLT (31), and LOCKNUT (8).
- Step 82. Insert PULLPIN (26) into BOTTOM WEIGHT (22) and through bottom hole of WEIGHT SELECTOR ROD (23).
- Step 83. Adjust CABLES by turning SCREW on UPPER CABLE (73) and / or adjust length of SHORT CHAIN (80) until all slack is removed from CABLES without raising WEIGHT (22) stack.

IMPORTANT

CABLES may require periodic adjustment to remove slack.

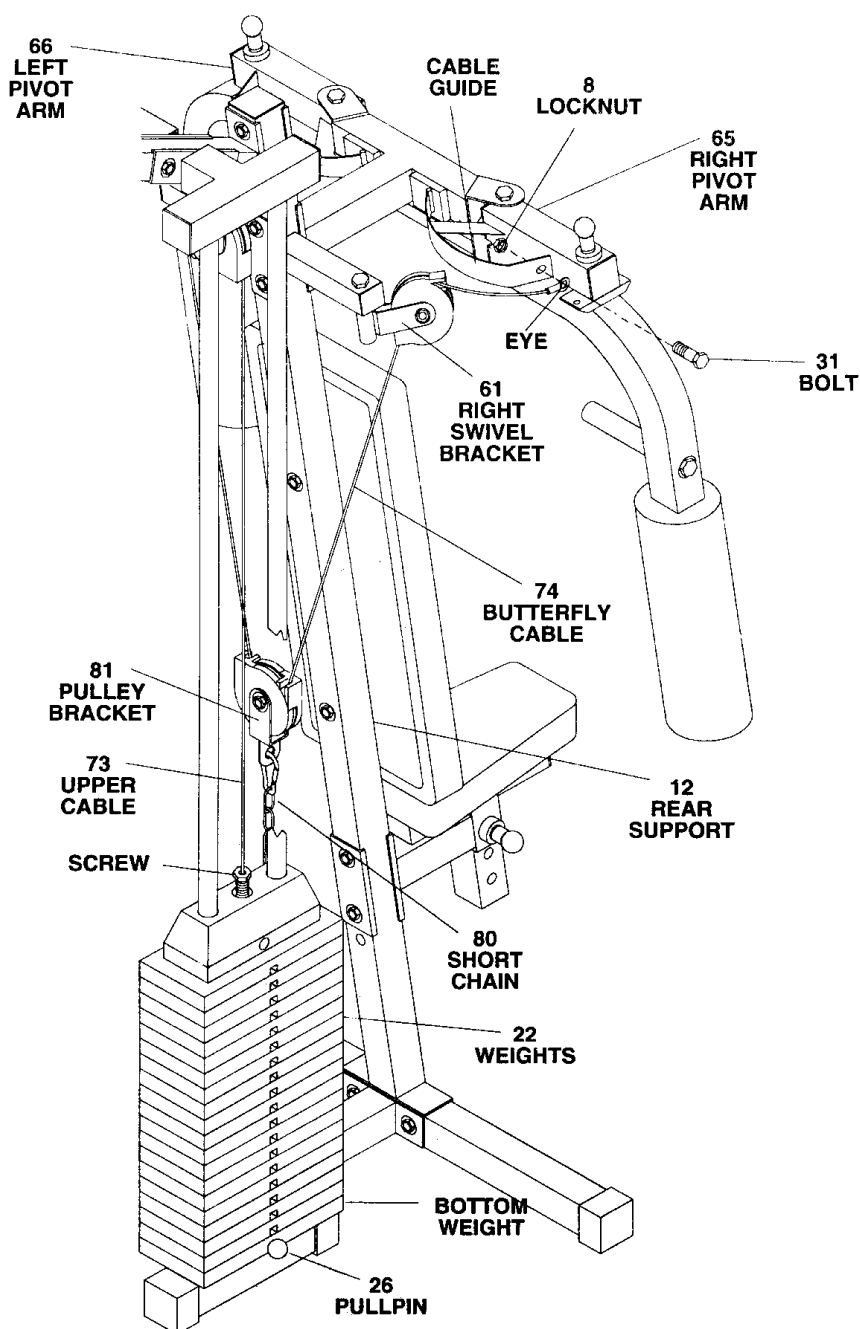


FIGURE 16.

Step 84. Thread one BOLT (60) into one end of PIVOT TUBE (85), then slide one WASHER (86) onto PIVOT TUBE.

Step 85. Insert PIVOT TUBE (85) through one side of HANDLEBAR (84), LARGE SPACER (87), HANDLEBAR SUPPORT (57), other LARGE SPACER and other side of HANDLEBAR and fasten with WASHER (86) and BOLT (60).

NOTE : The LONG TUBE of HANDLEBAR **must** be on ADJUSTMENT PLATE side of HANDLEBAR SUPPORT.

FIGURE 16

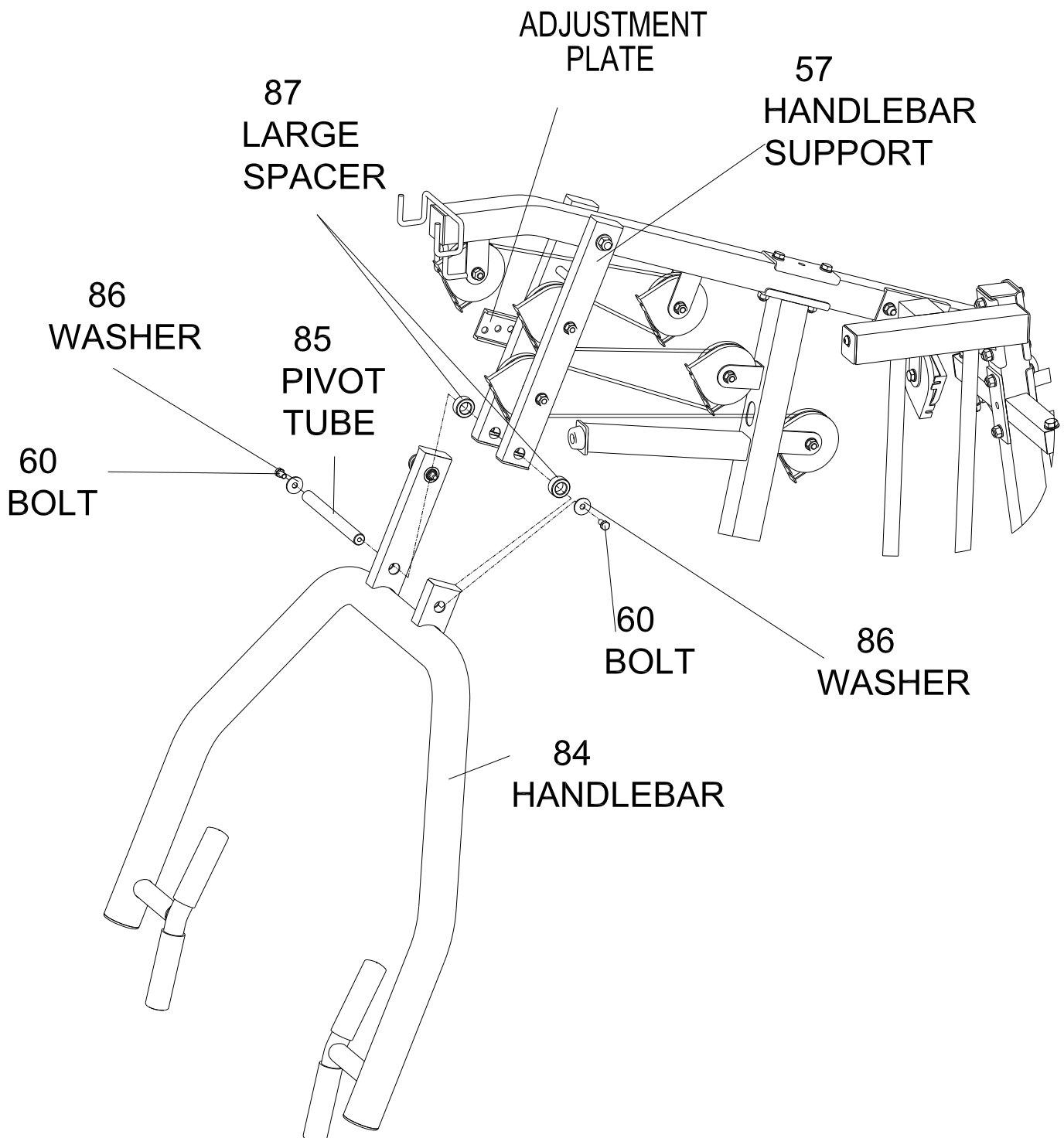
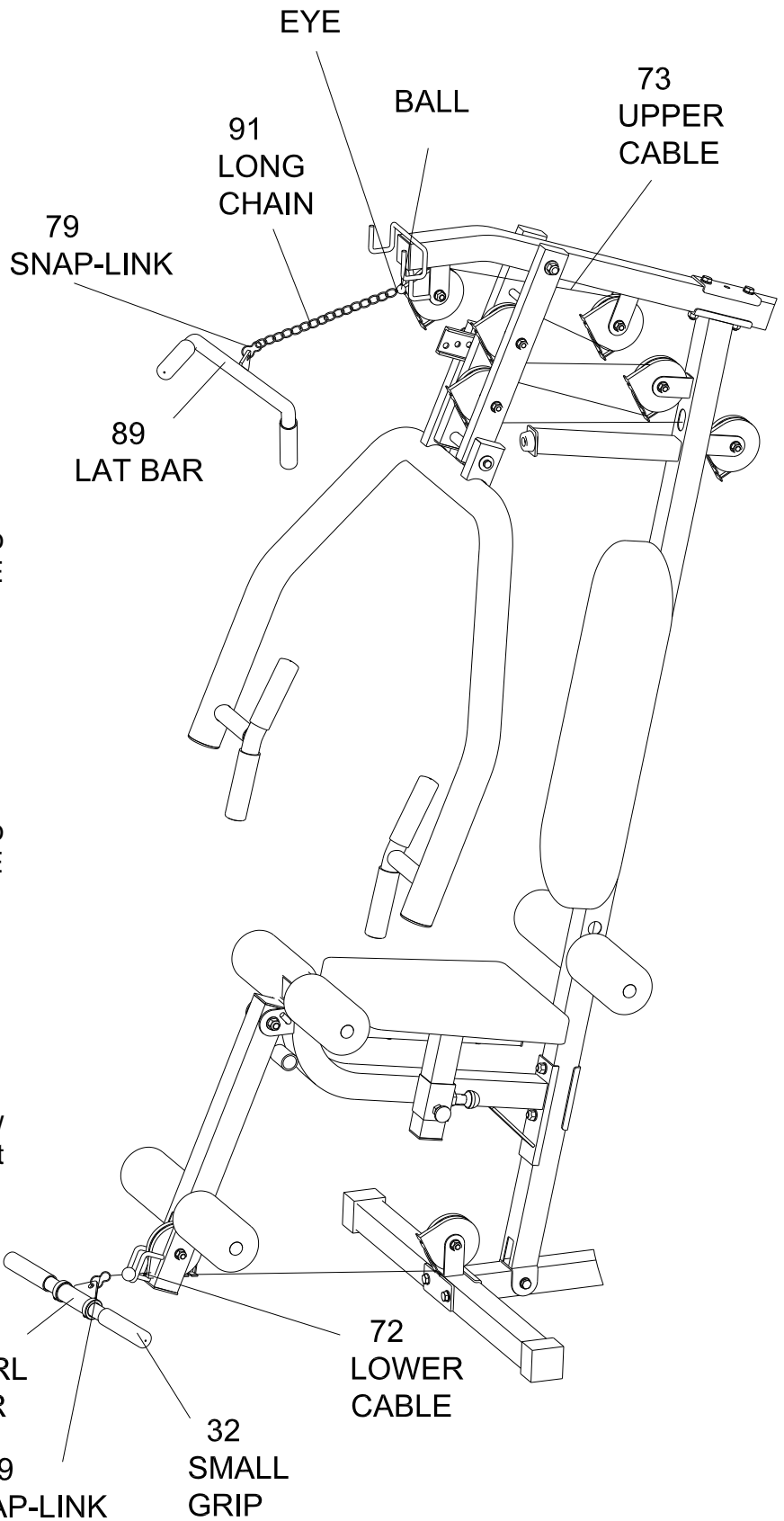


FIGURE 17

Step 86. Push SMALL GRIPS (32) onto LAT BAR (89) and CURL BAR (90).



The following items can be attached to EYE at BALL end of UPPER CABLE (73) with SNAP-LINK (79):

- LAT BAR (89) (shown attached).
- LONG CHAIN (91).
- PULL HANDLE (92),
- ANKLE STRAP (93).

The following items can be attached to EYE at BALL end of LOWER CABLE (72) with SNAP-LINK (79):

- CURL BAR (90) (shown attached).
- LONG CHAIN (91).
- PULL HANDLE (92),
- ANKLE STRAP (93).

The USAGE MANUAL (94) will show each item needed to do the different exercises.



Leverandør:
Sport Supply Int. AS
Postboks 226
3051 Mjøndalen
E-post: post@sportsupply.no
www.sportsupply.no
www.abilica.no

© Sport Supply Int. AS